

6JU8A

Quadruple Diode

9-PIN MINIATURE TYPE

For Phase-Detector and Noise-Immune Color-Killer Circuits in Color-Television Receivers, and for FM-Stereo-Multiplex Equipment

Electrical:

Heater Characteristics and Ratings:

Voltage (AC or DC)	6.3 ± 0.6	volts
Current at heater volts = 6.3	0.600	amp
Peak heater-cathode voltage (Each unit):		
Heater negative with respect to cathode	300 max.	volts
Heater positive with respect to cathode	300 max.	volts

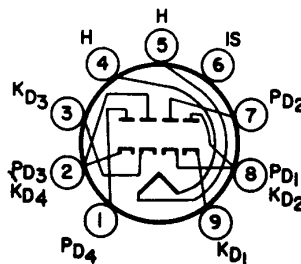
Direct Interelectrode Capacitances (Approx.):^a

P _{D1} +K _{D2} to K _{D1}	1.8	pf
P _{D1} +K _{D2} to P _{D2}	2.2	pf
P _{D2} to (IS,H)	0.62	pf
P _{D3} +K _{D4} to K _{D3}	1.9	pf
P _{D3} +K _{D4} to P _{D4}	2.2	pf
P _{D4} to (IS,H)	0.94	pf
K _{D1} to (IS,H)	1.8	pf
K _{D3} to (IS,H)	1.9	pf

Mechanical:

Operating Position	Any
Type of Cathodes	Coated Unipotential
Maximum Overall Length	2-3/16"
Maximum Seated Length	1-15/16"
Length, Base Seat to Bulb Top (Excluding tip)	1-9/16" ± 3/32"
Diameter	0.750" to 0.875"
Dimensional Outline	See <i>General Section</i>
BulbT6-1/2
Base	Small-Button Noval 9-Pin (JEDEC No.E9-1)
Basing Designation for BOTTOM VIEW	9PQ

- Pin 1 - Plate of Unit No.4
- Pin 2 - Plate of Unit No.3,
Cathode of Unit No.4
- Pin 3 - Cathode of Unit No.3
- Pin 4 - Heater
- Pin 5 - Heater
- Pin 6 - Internal Shield
- Pin 7 - Plate of Unit No.2
- Pin 8 - Plate of Unit No.1,
Cathode of Unit No.2
- Pin 9 - Cathode of Unit No.1



6JU8A

Maximum Ratings, Design-Maximum Values:

Values are for Each Unit

Peak Inverse Plate Voltage.	300 max.	volts
Peak Plate Current.	54 max.	ma
DC Output Current	9 max.	ma

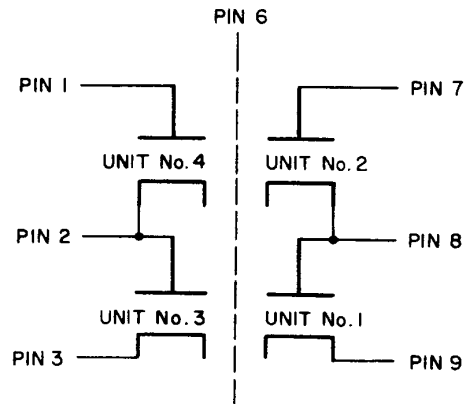
Characteristics, Instantaneous Value:

Values are for Each Unit

Plate Current for plate volts = 10	60	ma
--	----	----

^a Without external shield.

ARRANGEMENT OF DIODE UNITS



92CS-11532R1

