



DISSIMILAR DOUBLE TRIODE

FOR TV VERTICAL-DEFLECTION OSCILLATOR AND AMPLIFIER APPLICATIONS

DESCRIPTION AND RATING

The 6GL7 is a dissimilar double triode designed for use as a combined vertical-deflection oscillator and amplifier in television receivers. Section 1, a high- μ triode, is intended for service as an oscillator; Section 2, a low- μ , high-perveance triode, for service as an amplifier.

GENERAL

ELECTRICAL

Cathode - Coated Unipotential

Heater Characteristics and Ratings

Heater Voltage, AC or DC* . . . 6.3±0.6 Volts
 Heater Current† 1.05 Amperes
 Direct Interelectrode Capacitances, approximate‡

	Section 1	Section 2	
Grid to Plate: (g to p)	4.0	8.0	pf
Input: g to (h + k)	2.2	6.0	pf
Output: p to (h + k)	0.6	1.3	pf

MECHANICAL

Operating Position - Any

Envelope - T-9, Glass

Base - B8-6, Intermediate-Shell Octal 8-Pin

Outline Drawing - EIA 9-5

Maximum Diameter 1.281 Inches

Maximum Over-all Length . . . 3.000 Inches

Maximum Seated Height 2.438 Inches

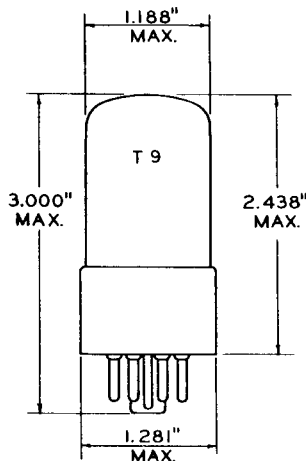
MAXIMUM RATINGS

Design-Maximum ratings are limiting values of operating and environmental conditions applicable to a bogey electron tube of a specified type as defined by its published data and should not be exceeded under the worst probable conditions.

The tube manufacturer chooses these values to provide acceptable serviceability of the tube, making allowance for the effects of changes in operating conditions due to variations in the characteristics of the tube under consideration.

The equipment manufacturer should design so that initially and throughout life no design-maximum value for the intended service is exceeded with a bogey tube under the worst probable operating conditions with respect to supply-voltage variation, equipment component variation, equipment control adjustment, load variation, signal variation, environmental conditions, and variations in the characteristics of all other electron devices in the equipment.

PHYSICAL DIMENSIONS

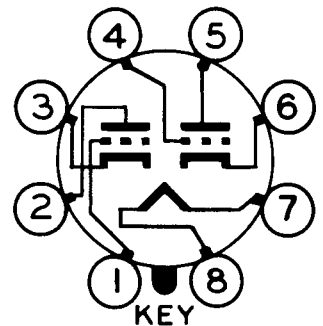


EIA 9-5

TERMINAL CONNECTIONS

- Pin 1 - Grid (Section 2)
- Pin 2 - Plate (Section 2)
- Pin 3 - Cathode (Section 2)
- Pin 4 - Grid (Section 1)
- Pin 5 - Plate (Section 1)
- Pin 6 - Cathode (Section 1)
- Pin 7 - Heater
- Pin 8 - Heater

BASING DIAGRAM



EIA 8BD

MAXIMUM RATINGS (Cont'd)

DESIGN-MAXIMUM VALUES

	Vertical Oscillator Service (Section 1) §	Vertical Deflection Amplifier (Section 2) §	
DC Plate Voltage	350	550	Volts
Peak Positive Pulse Plate Voltage	---	1500	Volts
Peak Negative Grid Voltage	400	250	Volts
Plate Dissipation	1.0	10†	Watts
DC Cathode Current	---	50	Milliamperes
Peak Cathode Current	---	175	Milliamperes
Heater-Cathode Voltage			
Heater Positive with Respect to Cathode			
DC Component	100	100	Volts
Total DC and Peak	200	200	Volts
Heater Negative with Respect to Cathode			
Total DC and Peak	200	200	Volts
Grid Circuit Resistance			
With Fixed Bias	1.0	1.0	Megohms
With Cathode Bias	2.2	2.2	Megohms

CHARACTERISTICS AND TYPICAL OPERATION

AVERAGE CHARACTERISTICS

	Section 1 (Oscillator)	Section 2 (Amplifier)	
Plate Voltage	250	60	175 Volts
Grid Voltage	-3.0	#	0Δ Volts
Amplification Factor	66	---	5
Plate Resistance, approximate30000	---	780 Ohms
Transconductance	2200	1600	6400 Micromhos
Plate Current	2.0	13	100 46 Milliamperes
Grid Voltage, approximate			
Ib = 20 Microamperes	-5.3	---	---
Grid Voltage, approximate			
Ib = 200 Microamperes	---	---	-60 Volts

FOOTNOTES

- * The equipment designer should design the equipment so that heater voltage is centered at the specified bogey value, with heater supply variations restricted to maintain heater voltage within the specified tolerance.
- † Heater current of a bogey tube at Ef = 6.3 volts.
- ‡ Without external shield.
- § For operation in a 525-line, 30-frame television system as described in "Standards of Good Engineering Practice Concerning Television Broadcast Stations," Federal Communications Commission. The duty cycle of the voltage pulse must not exceed 15 percent of one scanning cycle.
- ¶ In stages operating with grid-leak bias, an adequate cathode-bias resistor or other suitable means is required to protect the tube in the absence of excitation.
- # Adjusted for Ib = 13 milliamperes.
- Δ Applied for short interval (two seconds maximum) so as not to damage tube.

The tubes and arrangements disclosed herein may be covered by patents of General Electric Company or others. Neither the disclosure of any information herein nor the sale of tubes by General Electric Company conveys any license under patent claims covering combinations of tubes with other devices or elements. In the absence of an

express written agreement to the contrary, General Electric Company assumes no liability for patent infringement arising out of any use of the tubes with other devices or elements by any purchaser of tubes or others.

RECEIVING TUBE DEPARTMENT



Owensboro, Kentucky