



9005

9005

## U-H-F DIODE

ACORN TYPE

Heater	Coated Unipotential Cathode	
Voltage	3.6	a-c or d-c volts
Current	0.165	amp.
Direct Interelectrode Capacitances: <sup>o</sup>		
Plate to Cathode	0.8	$\mu\text{f}$
Plate to Heater	0.2 approx.	$\mu\text{f}$
Heater to Cathode	1.1 approx.	$\mu\text{f}$
Overall Length	1-7/32" $\pm$ 5/32"	
Overall Diameter	1-3/32" $\pm$ 1/16"	
Bulb	T-4 $\frac{1}{2}$	
RCA Socket	Stock No. 9925	
Mounting Position	Any	

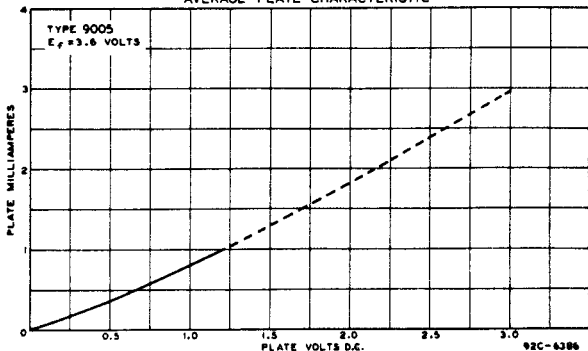
*Maximum Ratings are Design-Center Values*RECTIFIER

A-C Plate Voltage (RMS)	117 max. volts
D-C Output Current	1.0 max. ma.

The resonant frequency of the 9005 is approximately 1500 Mc.

<sup>o</sup>With no external shield.

AVERAGE PLATE CHARACTERISTIC



Dec. 1, 1942

RCA RADIONRON DIVISION  
RCA MANUFACTURING COMPANY, INC.

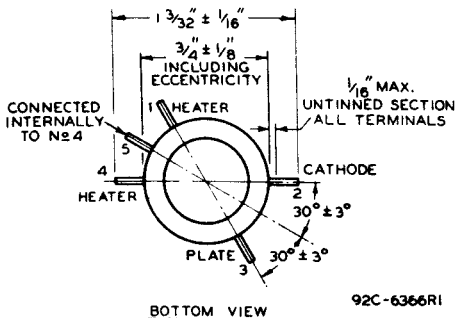
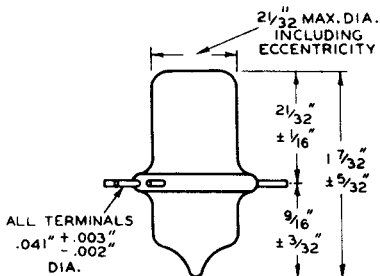
TENTATIVE DATA

9005



9005

## U-H-F DIODE



← Indicates a change.

Dec. 1, 1942

 RCA RADIOTRON DIVISION  
 RCA MANUFACTURING COMPANY, INC.

92C-6366R1



9005

9005

## AVERAGE CHARACTERISTICS

 $E_f = 3.6$  VOLTS

CURVE	LOAD RESISTOR OHMS
A	2500
B	5000
C	7500
D	10000
E	15000
F	25000
G	40000
H	100000
I	250000
J	500000
K	1000000

