



575-A

575-A

# HALF-WAVE MERCURY-VAPOR RECTIFIER

The 575-A is the same as the 673 except for the following items:

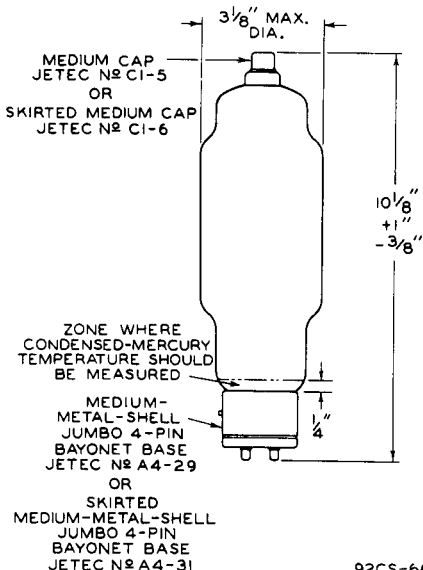
### Mechanical:

- Overall Length . . . . . 10-1/8" + 1" - 3/8" ←
- Maximum Diameter . . . . . 3-1/8" ←
- Weight (Approx.) . . . . . 10.8 oz ←
- Cap. . . . . Medium (JETEC No.C1-5), or ←  
Skirted Medium (JETEC No.C1-6) ←
- Base . . . . . Medium-Metal-Shell Jumbo 4-Pin ←  
with Bayonet (JETEC No.A4-29), or  
Skirted Medium-Metal-Shell Jumbo 4-Pin  
with Bayonet (JETEC No.A4-31)
- Basing Designation for BOTTOM VIEW . . . . . 4AT

- Pin 1 - No Connection
- Pin 2 - Filament, Cathode Shield



- Pin 3 - No Connection
- Pin 4 - Filament Cap - Anode



92CS-6654R2

← Indicates a change.