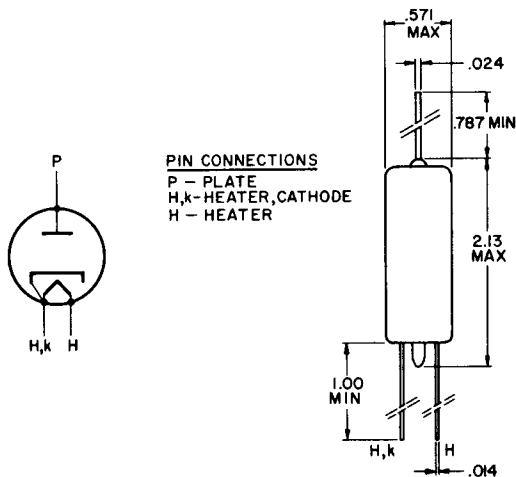


AMPEREX TUBE TYPE 1BG2

The 1BG2 is a half-wave rectifier intended for use for high voltage supplies in portable TV receivers.



GENERAL CHARACTERISTICS

MECHANICAL

The tube is provided with flexible leads (see outline).

ELECTRICAL

Heating	indirect
Heater Voltage	1.4 volts
Heater Current	575 ma
Capacitance, Cathode to Heater	0.8 pf

ABSOLUTE MAXIMUM RATINGS

Peak Negative Plate to Cathode Voltage	18 kv
Plate Current Average	350 μ a
Peak Plate Current	40 ma
Filter Capacitance	2000 μ f
Heater Voltage	
Average Current <200 μ a	1.6 volts
Average Current >200 μ a	1.3 volts

DIODE CHARACTERISTICS

Diode Voltage	100 volts
Diode Current	13 ma