

AN/ASN-128 Doppler Navigation Set

Status: STD-R; NSN: 5841-01-064-9738

Reference: TM 11-5841-281-12

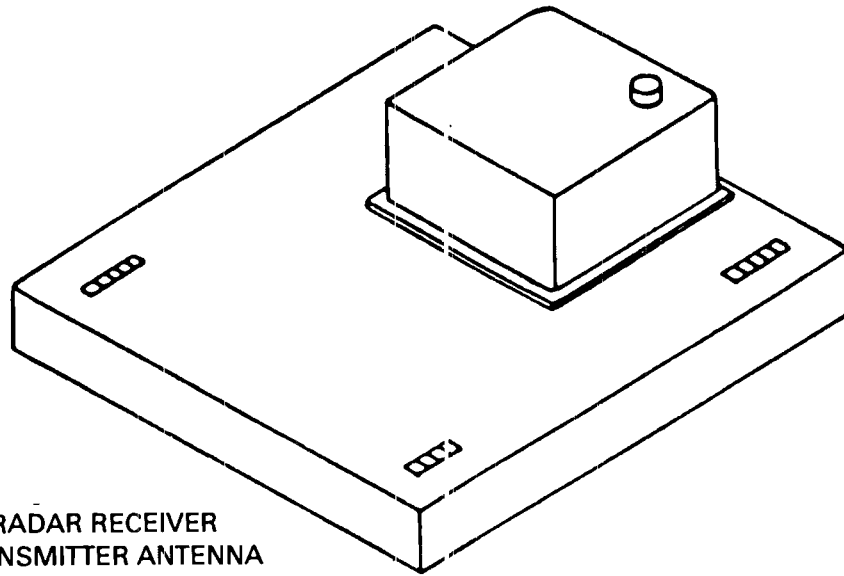
General Information

The AN/ASN-128 is a lightweight, airborne, self-contained navigational system which determines the three orthogonal components of aircraft velocity from measurements of the doppler frequency shift. It computes UTM or present position latitude/longitude as well as other navigational data such as ground speed, track angle, and bearing and distance to destination. The set is used with the aircraft's standard heading and altitude reference system and will provide a CEP in present position of 2 percent of distance traveled.

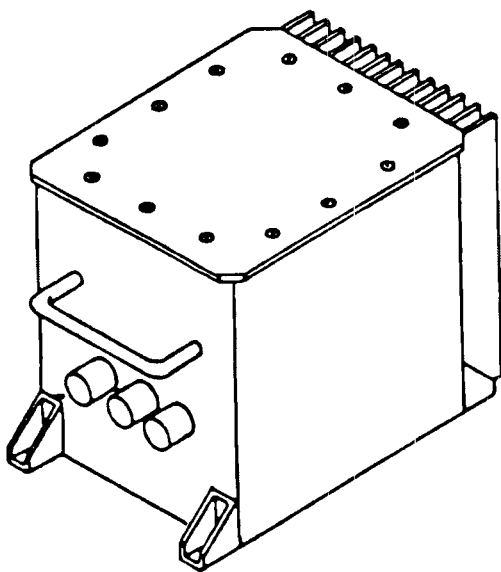
Technical Characteristics

Frequency Range-----13.25 to 13.4 GHz
Planning Range-----0 to 3049 m (0 to 10,000 ft)
Power Input-----27.5 V DC at 3.6 amp
Power Output-----50 mw
Weight-----13.8 kg (30.5 lb)

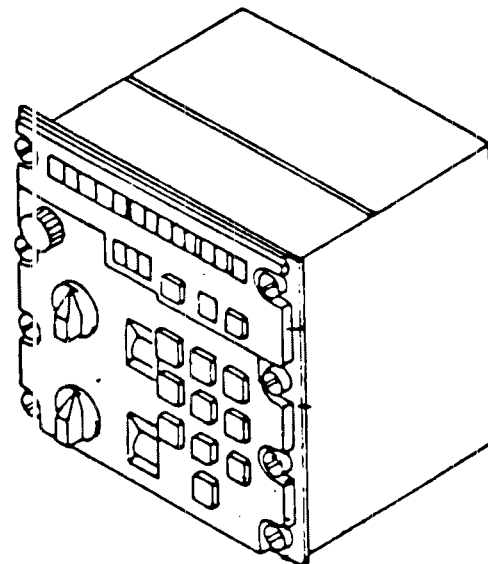
**AN/ASN-128
Doppler Navigation Set**



**RADAR RECEIVER
TRANSMITTER ANTENNA
RT-1193/ASN-128
(UNIT 2)**



**RADAR SIGNAL DATA CONVERTER
CV-3338/ASN-128
(UNIT 1)**



**COMPUTER DISPLAY UNIT
CP-1252/ASN-128
(UNIT 3)**