

## Section I. Radio Sets

### AN/ARC-44 Radio Set

Status: STD-S; NSN: 5821-00-543-0760

Reference: TB 43-0123  
TM 11-5821-204-12

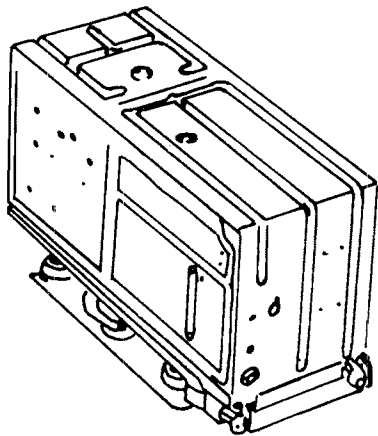
#### General Information

Radio Set AN/ARC-44 provides the pilot and co-pilot with two-way FM communications from air-to-ground and air-to-air stations. The frequency range permits the pilot or co-pilot to communicate with armored, artillery, and infantry units in the field. When used in conjunction with Antenna Group AN/ARA-31, the AN/ARC-44 may be used for homing.

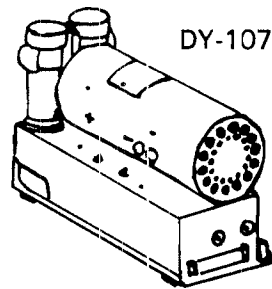
#### Technical Characteristics

Frequency Range-----24.0 to 51.9 MHz  
Planning Range-----LOS up to 80.5 km (50 mi)  
Number of Channel-----280  
Power Input-----27.5 V DC, 6.6 amp  
Power Source-----Aircraft power system, DYNAMOTOR  
                                  DY-107( )/AR: 150 V DC (B+), 85 mA  
                                  300 V DC (B+), 125 mA  
                                  27 V AC at 400 Hz  
Power Output-----6 W: RT-294/ARC-44; 8 W: RT-294A/ARC-44,  
                                  RT-294D/ARC-44

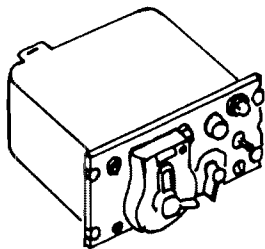
### AN/ARC-44 Radio Set



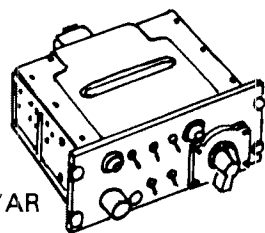
RT-294( )/  
ARC-44



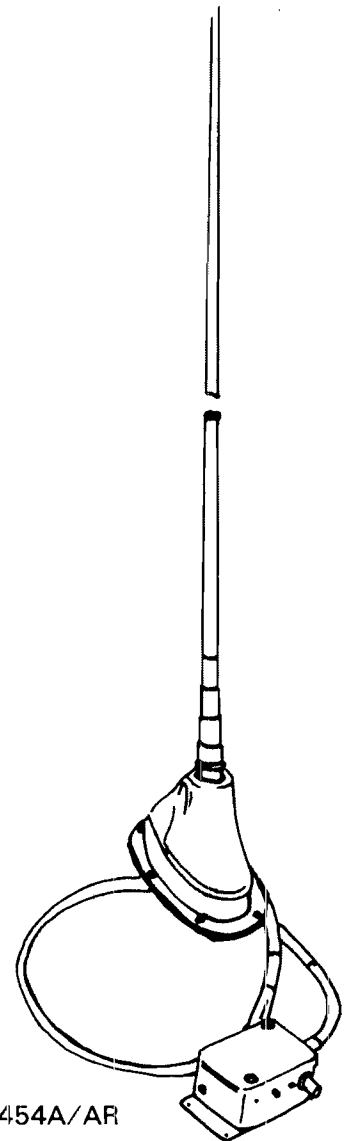
DY-107( )/ARC



SB-327/ARC-44



SB-329/AR



AT-454A/AR