

Section III. Large Extension Node

AN/TTC-46, AN/TTC-46A(V)1, AN/TTC-46B(V)1 and AN/TTC-46C (V)1 Large Extension Node Switches

NSN: 5805-01-253-6850 (AN/TTC-46)
5805-01-310-2541 (AN/TTC-46A(V)1)
5805-01-323-6458 (AN/TTC-46B(V)1)
5805-01-329-4803 (AN/TTC-46C(V)1)

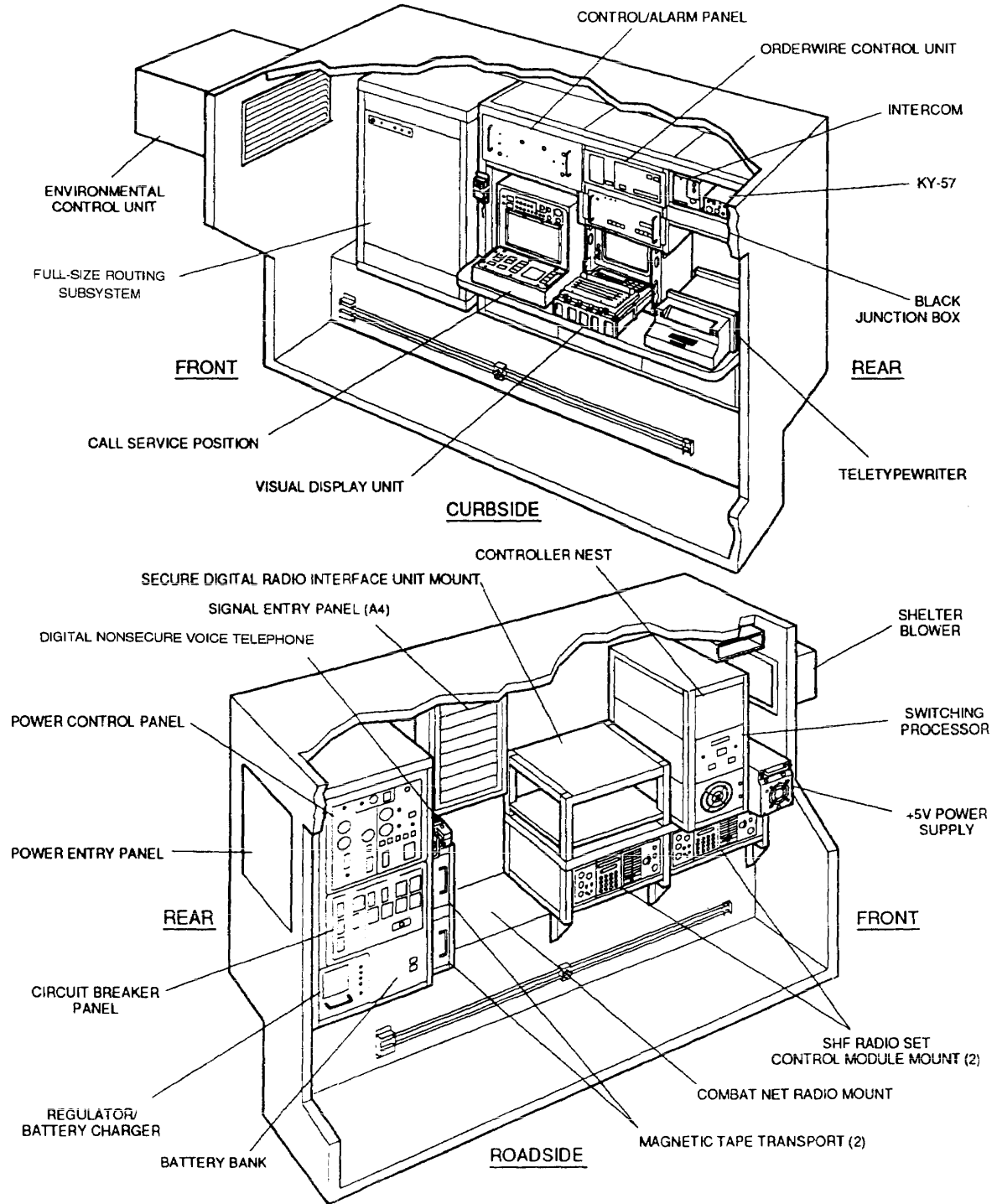
Reference: TM 11-5805-765-12

General Information

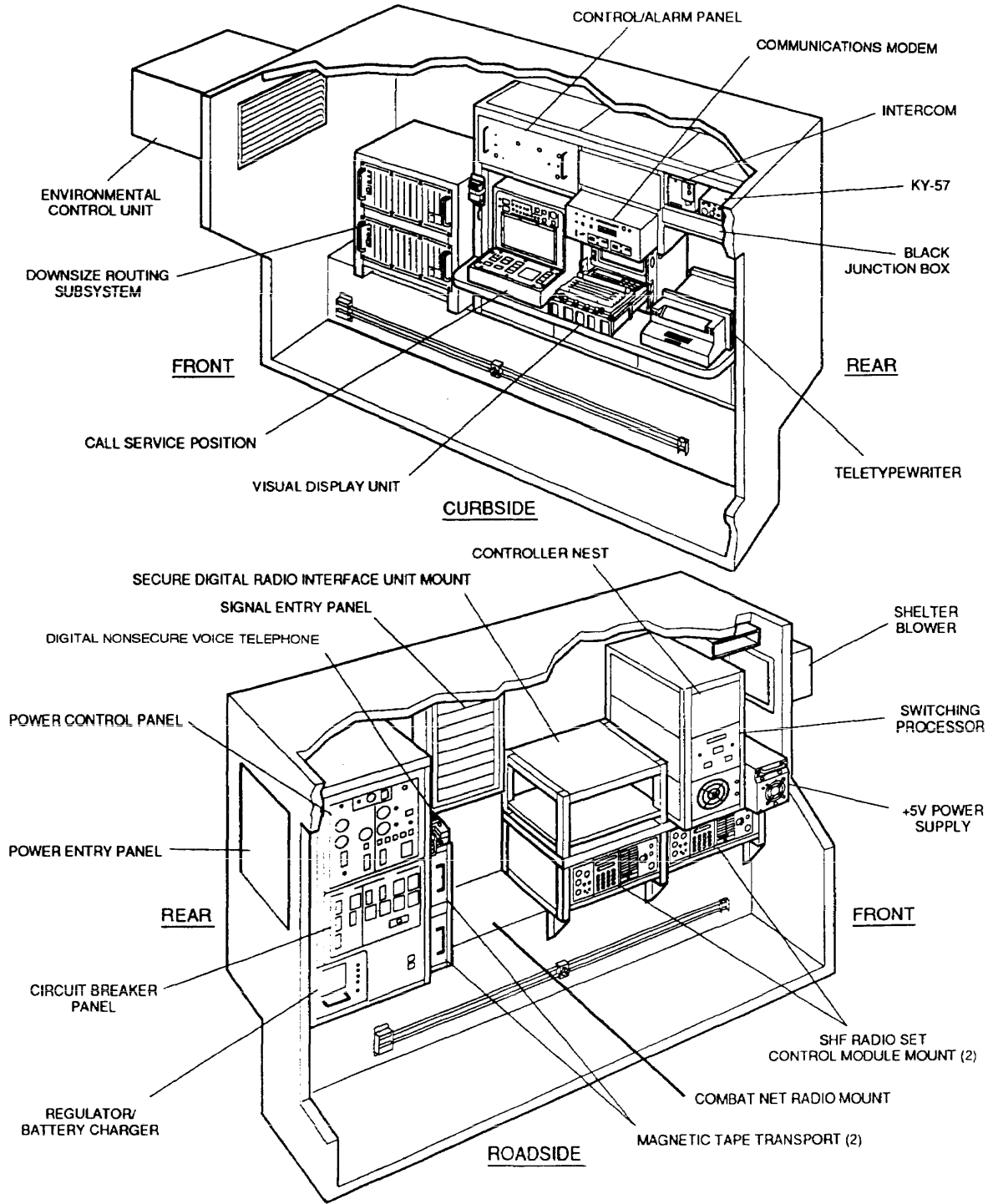
The AN/TTC-46 LEN is configured in two S-250s, the Switching Group ON-305/TTC-46 and the Operations Group OL-412/TTC-46. Each shelter is transported on an M-1037 HMMWV. The LEN is configured basically the same as the NC switch with basic differences in termination configuration for trunks and the LEN is not a tandem switch. The switching shelter provides the external interface, circuit switching and associated functions. The operations shelter provides the central processing and operator interface functions. The LEN performs all access switching and control functions for an MSE network. Power to both assemblages is provided by a PU-753/M, 10 kW, trailer-mounted, diesel generator set towed by the operation shelter's prime mover.

NOTE: The following six configurations show the shelter layouts for all four versions.

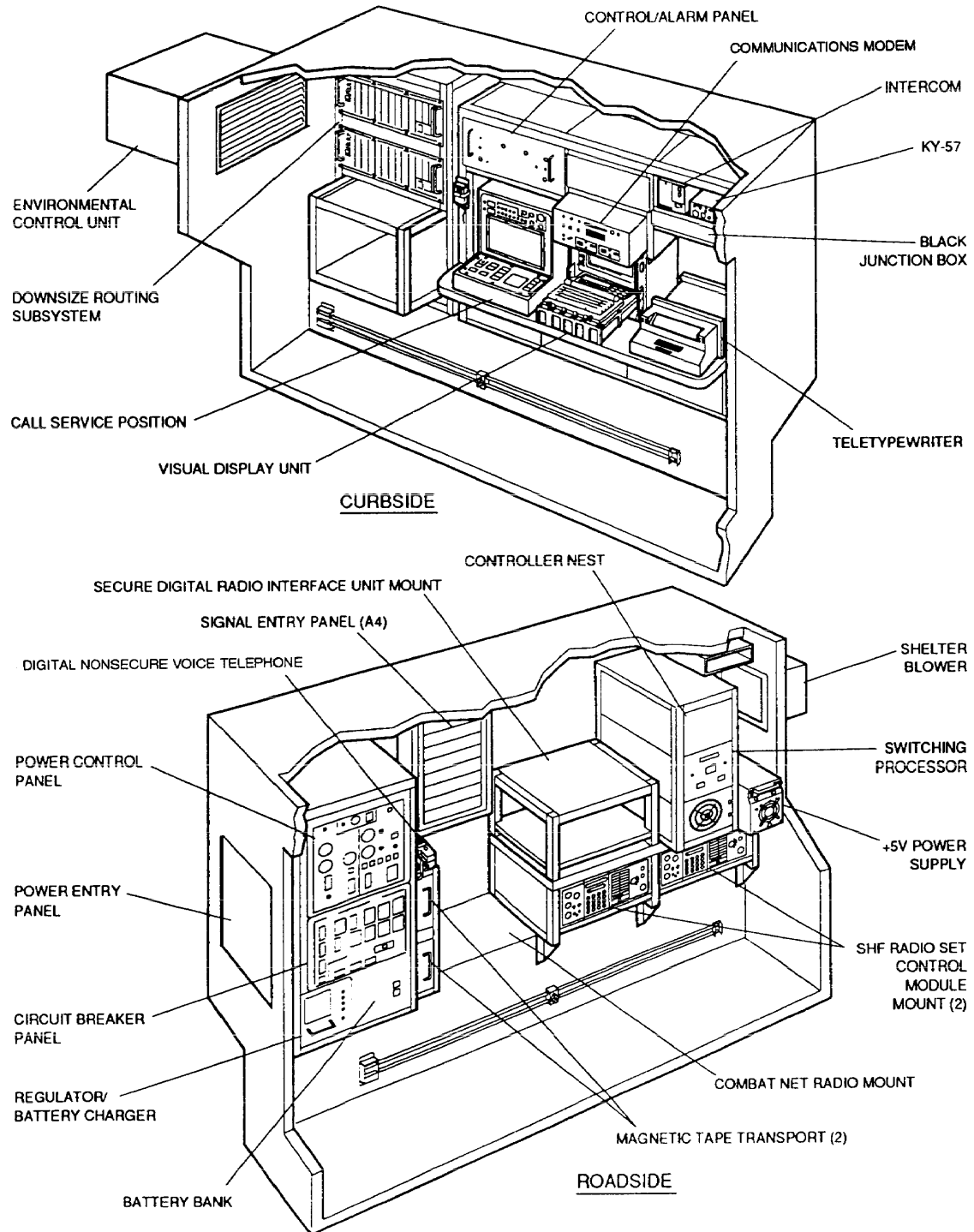
AN/TTC-46 Large Extension Node Switch Operations Shelter



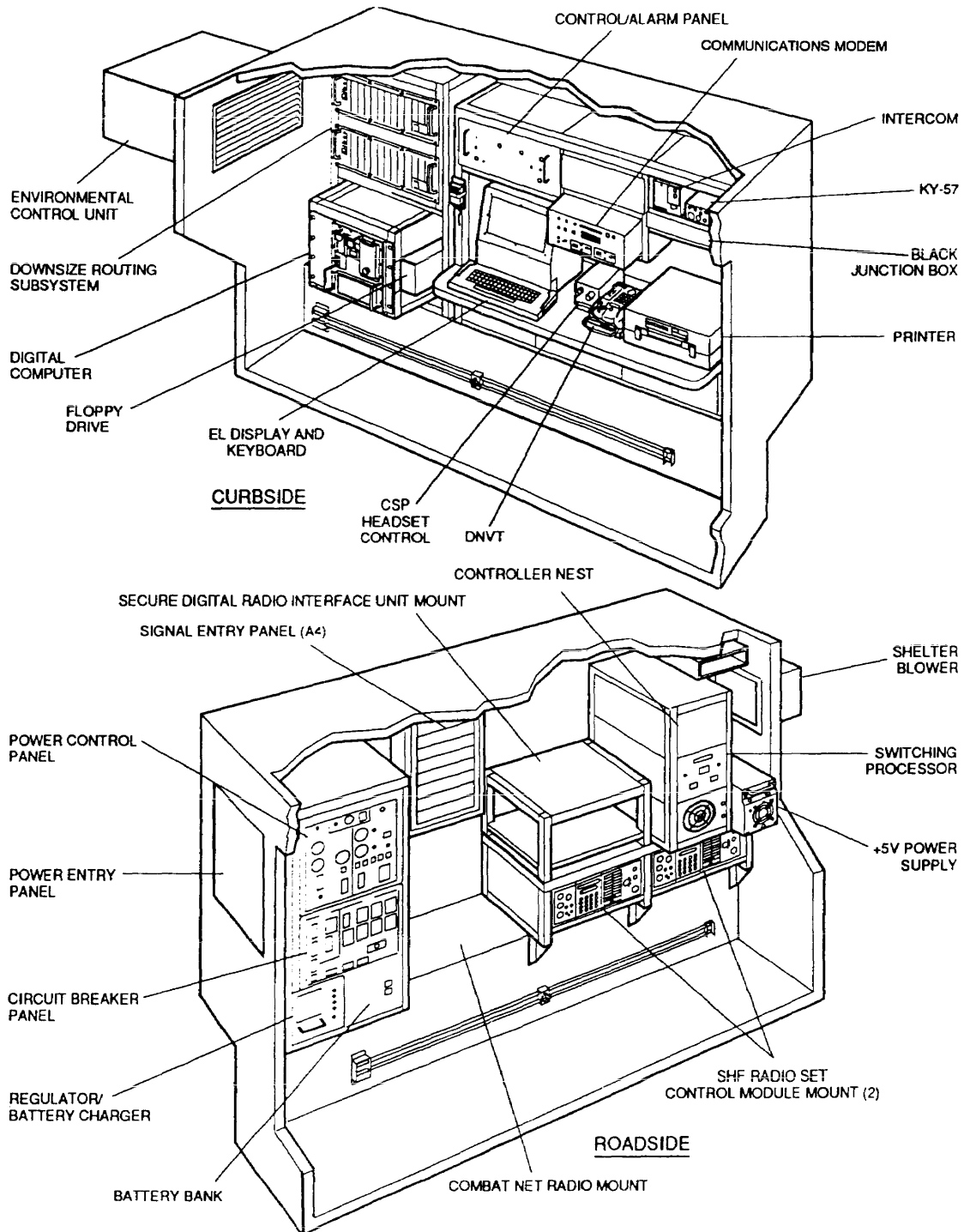
AN/TTC-46A(V)1 Large Extension Node Switch Operations Shelter



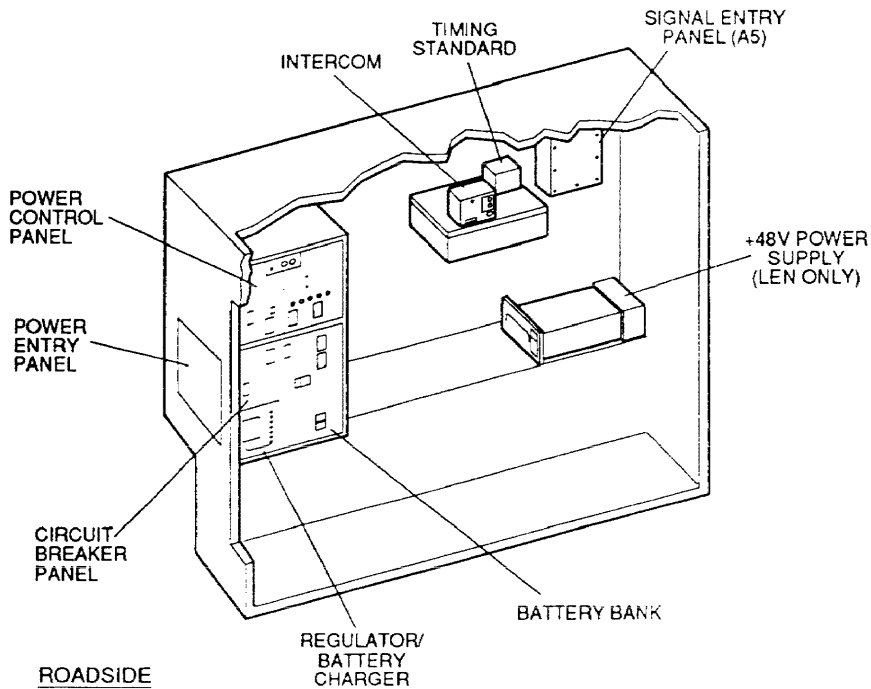
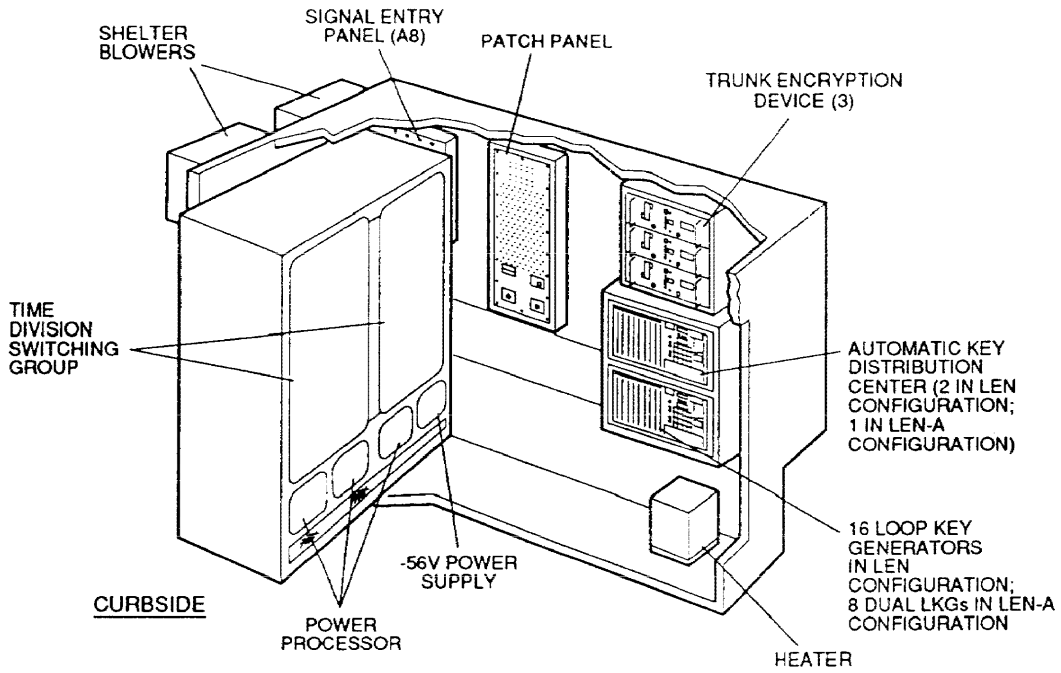
AN/TTC-46B(V)1 Large Extension Node Switch Operations Shelter



AN/TTC-46C(V)1 Large Extension Node Switch Operations Shelter



AN/TTC-46 and AN/TTC-46A(V)1 Large Extension Node Switch Operations Shelter



AN/TTC-46B(V)1 and AN/TTC-46C(V)1 Large Extension Node Switch Operations Shelter

